



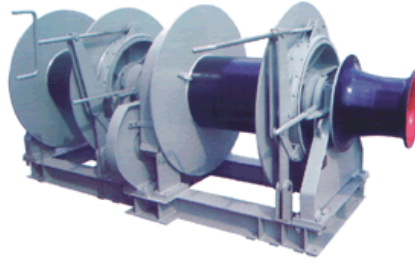
2YB Multi-drum Hydraulic Winch

3T-40T

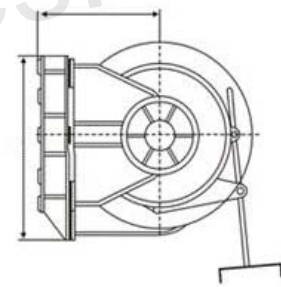
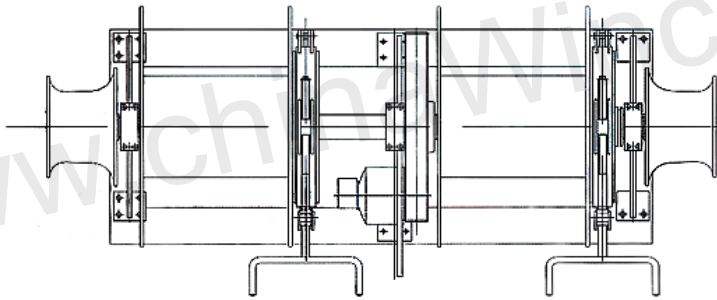
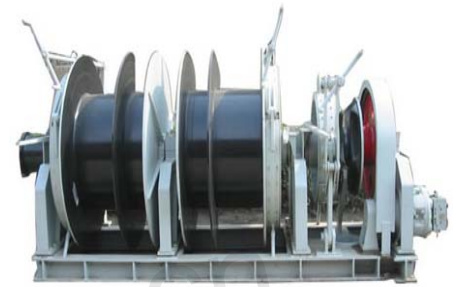
A type



B type



C type



Model	Drum load (kN)	Nominal speed (M/min)	Holding load (KN)	Dia.of rope (mm)	Rope capacity (M)
2YB-30/0.25	30	15	90	16	150
2YB-40/0.25	40	15	120	18	150
2YB-50/0.25	50	15	150	20	180
2YB-75/0.25	75	15	220	26	180
2YB-80/0.25	80	15	240	26	200
2YB-100/0.25	100	15	300	28	200
2YB-125/0.25	125	15	310	30	200
2YB-150/0.25	150	15	450	32	250
2YB-160/0.25	160	15	470	32	250
2YB-200/0.16	200	9.6	590	40	250
2YB-250/0.16	250	9.6	730	44	250
2YB-315/0.13	315	7.8	940	52	250
2YB-350/0.13	350	7.8	1050	54	250
2YB-400/0.13	400	7.8	1080	56	250

Note: the above mentioned not include rope and certificate, if any please be informed.