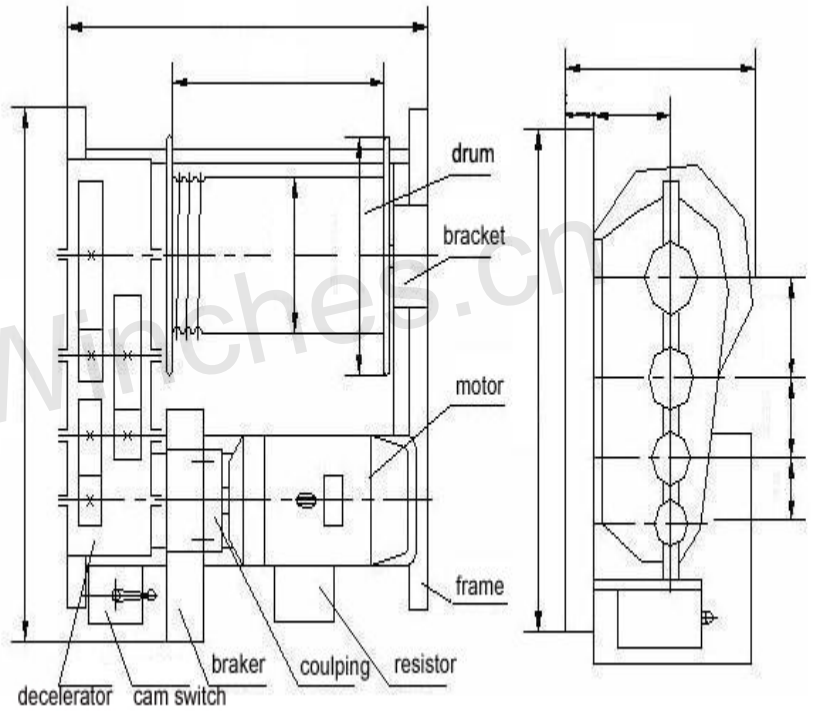




## VJK series electric winch with fast speed



This machine mainly used for hoisting and moving heavy cargos. It is suitable for the construction, mining industry, The frame has special functions: make the steel wire form in order, safety pulling and hoisting. Suitable for equipments in the place of each kind of bridge, dock and large-scale factories and mining industries engineering facilities.



### Technical data:

Model	Line pull (KN)	Rope speed (M/min)	Rope dia. (mm)	Drum capacity (M)	Motor		Dimension (mm)			Total weight (KG)
					Model	Power (KW)	Length	Width	Height	
VJK0.3T	3	20	6.2	50	YEJ90S-4	1.1	600	500	260	90
VJK0.5T	5	20	7.7	100	Y100L1-4	2.2	710	655	350	180
VJK 1T	10	25	9.3	100	Y132S-4	5.5	850	820	400	260
VJK1.5T	15	25	11	100	Y132M-4	7.5	1120	890	530	400
VJK2T	20	25	12	100	Y132M-4	7.5	1210	1000	550	600
VJK3T	30	24	17.5	150	YZR180L-6	15	1340	1310	620	800
VJK5T	50	20	21.5	150	YZR200L-6	22	1545	1465	850	1200
VJK6T	60	20	22	200	YZR225M-8	30	1800	1450	850	1800
VJK8T	80	20	26	250	YZR280S-8	45	1950	1660	850	2000
VJK10T	100	20	28	300	YZR280S-8	45	2240	2000	1000	2500

### Note:

Above mentioned based on 380 Voltage, 50 Hz, 3-Phase, and the price not include wire and certificate, if any want please in advice.