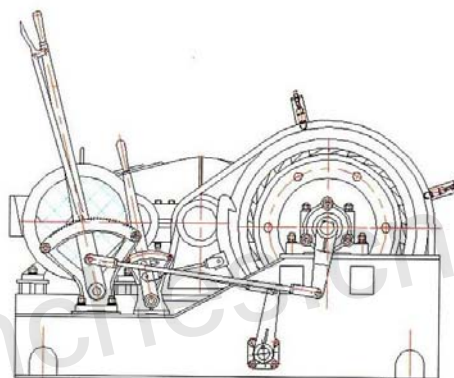
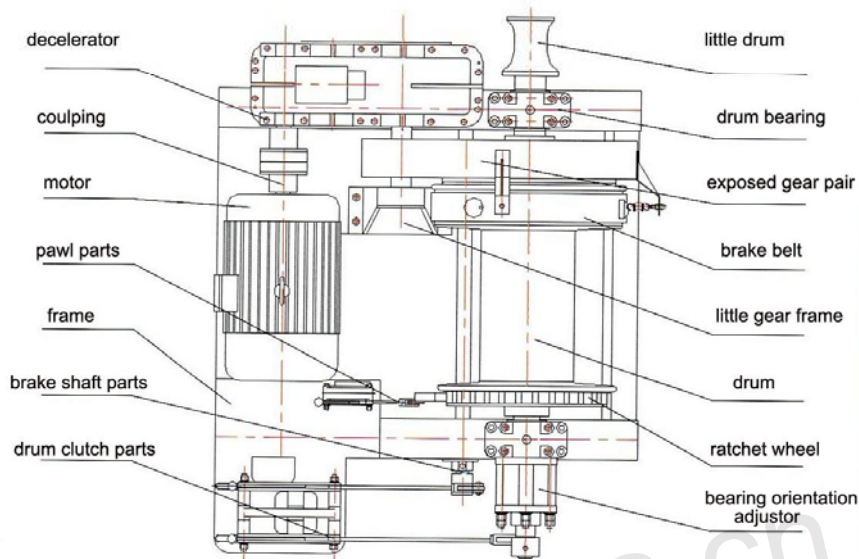




JKL manual control fast speed winch



This winch is mainly used for hoisting heavy cargos which are in the place of construction building site, main factory, and dock. Especially suitable for punching and piling working of bridge, dock, construction foundation works. The main feature is circumvolved by the principal axis.



Technical data:

Model	Line pull (KN)	Rope speed (M/min)	Rope Dia (mm)	Drum capacity (M)	Motor		Dimension			Total weight (KG)
					Model	Power (KW)	Length	Width	Height	
JKL2	20	30	12.5	150	Y180L-6	15	1370	1650	1210	1200
JKL3	30	30	15.5	200	Y200L-6	22	1690	1740	1200	1800
JKL5	50	30	21.5	250	Y225S-6	37	2300	2100	1650	3000
JKL6	60	36	24	250	Y280S-6	45	2350	2100	1650	3200
JKL8	80	29	26	250	Y280M-6	55	2440	2500	1800	5500
JKL10	100	29	28	250	Y315S-6	75	2590	2400	1800	5800

Note:

Above mentioned based on 380 Voltage, 50 Hz, 3-Phase, and the price not include wire and certificate, if any want please in advice.