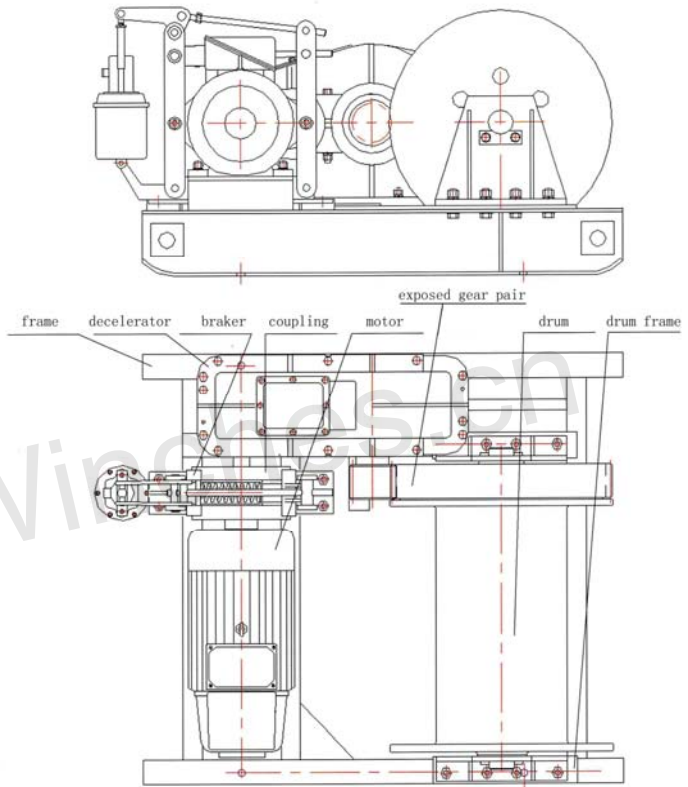
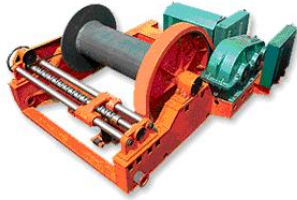
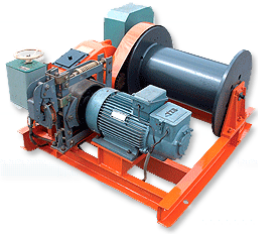




# VJM series electric low speed winch



These model winches generally used for install and tear down machine equipment. The frame has special functions: make the steel wire form in order, safety pulling and hoisting. Suitable for equipments in the place of each kind of bridge, dock and large-scale factories and mining industries engineering facilities.

## Technical data:

Model	Line pull (KN)	Rope speed (M/min)	Rope dia. (mm)	Drum capacity (M)	Motor		Dimension (mm)			Total weight (KG)
					Model	Power (KW)	Length	Width	High	
VJM0.3T	3	14	φ6.2	50	YEJ80-4	0.75	600	500	260	90
VJM0.5T	5	5.5	φ7.7	100	YEJ80-4	0.75	600	500	260	180
VJM 1 T	10	15.5	φ9.3	100	Y132S-4	5.5	850	820	400	260
VJM1.5T	15	15.5	φ11	80	Y132S-4	7.5	1120	850	530	400
VJM2T	20	16.5	φ12.5	100	Y132M-4	7.5	1210	1000	550	600
VJM3T	30	15.5	φ17.5	150	YZR180L-6	11	1340	1310	620	800
VJM5T	50	9	φ21.5	150	YZR200L-6	11	545	1290	850	1200
VJM6T	60	9	φ22.5	200	YZR180L-6	15	690	1355	850	1800
VJM8T	80	9.5	φ26	250	YZR225M-8	22	700	1615	850	2000
VJM10T	100	8.5	φ28	300	YZR200L-6	30	2045	1838	1000	2500
VJM15T	150	6.5	φ39	370	YZR225M-8	42	465	2525	1300	5500
VJM20T	200	10	φ40	370	YZR225S-8	55	4340	2430	2018	12600
VJM32T	320	9	φ56	700	YZR315S-8	75	4500	2850	2100	14800
VJM50T	500	9	φ65	800	YZR315M-8	90	4930	3050	2200	19500

## Note:

Above mentioned based on 380 Voltage, 50 Hz, 3-Phase, and the price not include wire and certificate, if any want please in advice.