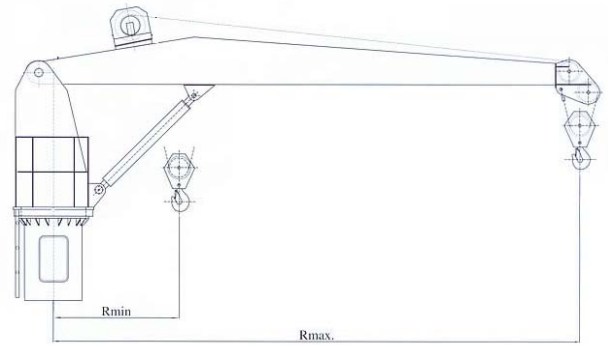




# P Type Fixed Boom Crane

www.chinaWinches.cn



Type	Working Load (T)	Working Radius (M)	Hoisting Height (M)	Hoisting Speed (M/min)	Luffing Time (s)	Slewing Speed (r/min)
P2006	2	2-6	25	10-15	35-40	1.2
P2008		2.4-8	25		35-40	1.2
P2010		3-10	25		35-40	1.0
P2012		3.7-12	25		35-40	1.0
P2014		4.3-14	25		35-40	0.8
P2016		4.9-16	25		35-40	0.6
P2018		5.5-18	25		35-40	0.6
P2020		6.2-20	25		35-40	0.5
P3006	3	2-6	25	10-15	35-40	1.0
P3008		2.4-8	25		35-40	1.0
P3010		3-10	25		35-40	0.8
P3012		3.7-12	25		35-40	0.8
P3014		4.3-14	25		35-40	0.6
P3016		4.9-16	25		35-40	0.6
P3018		5.5-18	25		35-40	0.5
P3020		6.2-20	25		35-40	0.5
P3022	6.7-22	25	35-40	0.4		
P4060	4	2-6	25	10-15	40-45	1.0
P4080		2.4-8	25		40-45	1.0
P4010		3-10	25		40-45	0.8
P4012		3.7-12	25		40-45	0.8
P4014		4.3-14	25		40-45	0.6
P4016		4.9-16	25		40-45	0.6
P4018		5.5-18	25		40-45	0.5
P4020		6.2-20	25		40-45	0.5
P4022	6.7-22	25	40-45	0.4		
P5006	5	2-6	25	10-15	40-45	1.0
P5008		2.4-8	25		40-45	0.8
P5010		3-10	25		40-45	0.8
P5012		3.7-12	25		40-45	0.6
P5014		4.3-14	25		40-45	0.6
P5016		4.9-16	25		40-45	0.5
P5018		5.5-18	25		40-45	0.5
P5020		6.2-20	25		40-45	0.4
P5050	6.7-22	25	40-45	0.4		



Type	Working Load	Working Radius	Hoisting Height	Hoisting Speed	Luffing Speed	Slewing Speed
P6006	6	2-6	25	10-15	45-50	1.0
P6008		2.4-8	25		45-50	0.8
P6010		3-10	25		45-50	0.8
P6012		3.7-12	25		45-50	0.6
P6014		4.3-14	25		45-50	0.6
P6016		4.9-16	25		45-50	0.5
P6018		5.5-18	25		45-50	0.5
P6020		6.2-20	25		45-50	0.4
P6022		6.7-22	25		45-50	0.4
P8006		8	2-6		30	10-15
P8008	2.4-8		30	45-50	0.8	
P8010	3-10		30	45-50	0.6	
P8012	3.7-12		30	45-50	0.6	
P8014	4.3-14		30	45-50	0.8	
P8016	4.9-16		30	45-50	0.6	
P8018	5.5-18		30	45-50	0.6	
P8020	6.2-20		30	45-50	0.5	
P8022	6.7-22		30	45-50	0.4	
P8024	7.4-24		30	45-50	0.4	
P10012	10	3.7-12	30	15-20	50-65	0.8
P10014		4.3-14	30		50-65	0.8
P10016		4.9-16	30		50-65	0.6
P10018		5.5-18	30		50-65	0.6
P10020		6.2-20	30		50-65	0.6
P10022		6.7-22	30		50-65	0.4
P10024		7.4-24	30		50-65	0.4
P15012		15	3.7-12		30	15-20
P15014	4.3-14		30	50-65	0.8	
P15016	4.9-16		30	50-65	0.5	
P10518	5.5-18		30	50-65	0.5	
P10520	6.2-20		30	50-65	0.4	
P15022	6.7-22		30	50-65	0.4	
P15024	7.4-24		30	50-65	0.6	
P20012	20	3.7-12	30	15-20	60-70	0.6
P20014		4.3-14	30		60-70	0.6
P20016		4.9-16	30		60-70	0.5
P20018		5.5-18	30		60-70	0.6
P20020		6.2-20	30		60-70	0.5
P20022		6.7-22	30		60-70	0.4
P20024		7.4-24	30		60-70	0.4
P25016	25	4.9-16	30	15-20	60-70	0.4
P25018		5.5-18	30		60-70	0.4
P25020		6.2-20	30		60-70	0.4
P25022		6.7-22	30		60-70	0.4
P25024		7.4-24	30		60-70	0.4
P30016	30	4.9-16	30	15-20	65-80	0.4
P30018		5.5-18	30		65-80	0.4
P30020		6.2-20	30		65-80	0.4
P30022		6.7-22	30		65-80	0.4
P30024		7.4-24	30		65-80	0.4

Note: Above mentioned based on 380 Voltage, 50 Hz, 3-Phase, and the price not include wire and classification, if any want please in advice.