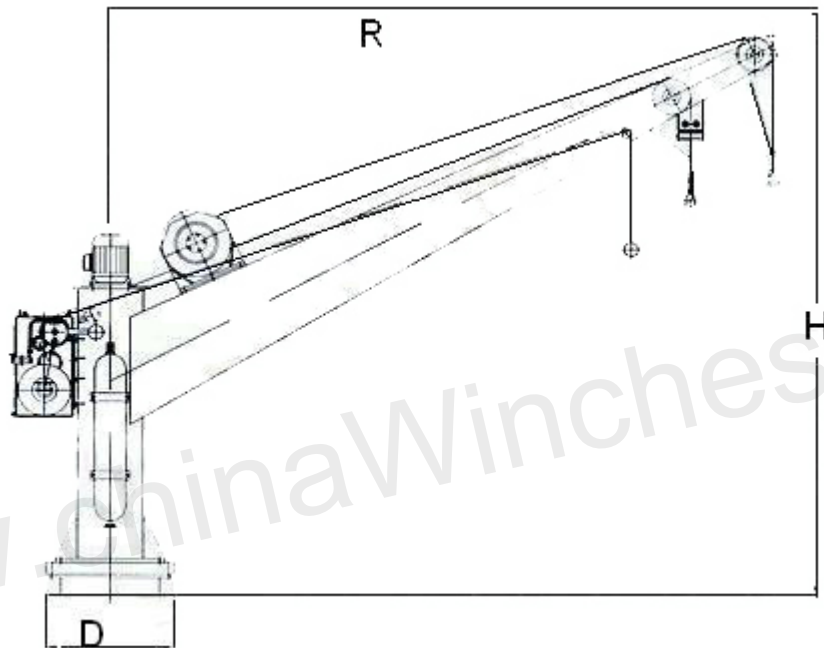




Launching Application of Rescue Boat / Raft Crane



Type	Max. working load (KN)	Lifting load (KN)	Brake load (KN)	Slewing load (KN)	Hoisting speed (M/min)	Decline speed (M/min)	Motor power (KW)	H	R	D
ZM13.7/4.5	14	14	14	14	18	48	5.5	4200	4500	820
ZM14/4	21	13.7	21	14	18	48	5.5	4200	4000	625
ZM21/3.65	21	14	14	21	18	40-55	5.5/5.5	4100	3650	820
ZM21/4	21	14	21	14	18	48	5.5/5.5	4200	4000	625
ZM21/5.5	21	14	21	21	18	48	5.5/4	5186	5500	880
ZM21/7.1	14	14	14	14	18	48	5.5/5.5	DZ14	7559	1030

www.chinaWinches.cn