

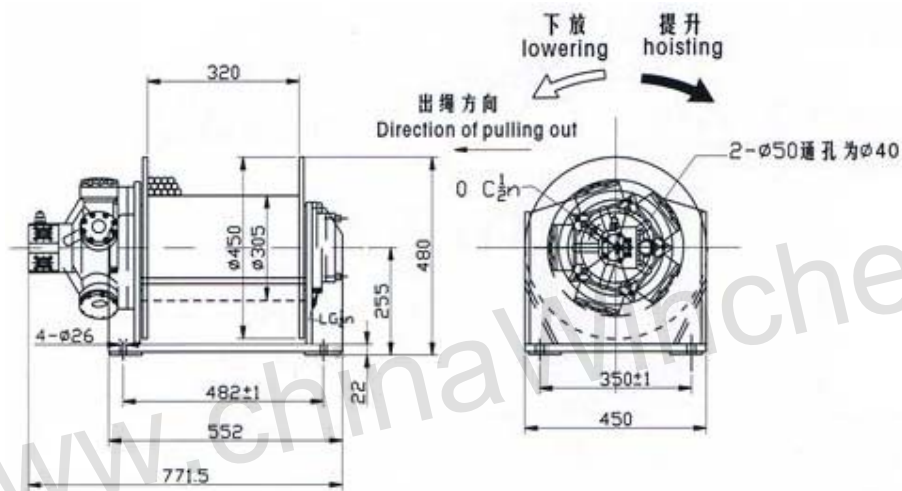


## VJF series Free Fall Hydraulic Winch

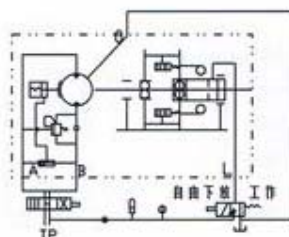
VJF series free-fall function hydraulic winch consist of many kinds of distributor with one-way valve, shuttle valve, hydraulic motor, brake, planetary gearbox , drum, support frame and clutch.

Users only needs be coupled by fitting with hydraulic power unit and directional valve. Due to the winch itself with valve sets, not only the hydraulic system can be simplified, but also enhances the working reliability of the transmission drives. Furthermore, the problem of shaking in unloading and secondary downside in lifting or lowering also can be solved easily.

So the free fall winch works quite stably during the hoisting and lowering. And the end grade of the transmission has clutch, its has free lowering function of empty hook.



hydraulic diagram





Model	First layer		Disp. (ml/r)	Differential pressure (MPa)	Flow (L/min)	Rope diameter (mm)	Layer	Rope capacity (M)	Motor type	Gearbox type
	Force (Ton)	Speed (M/min)								
VJF-2T (A)	2	0-40	1639	14.4	72	14	1	22	HM3	C3DF
							2	44		
							3	69		
VJF-2T (B)	2	0-40	1375	17.2	60	14	1	22	HM3	C3AF
							2	44		
							3	69		
VJF-2.5T(A)	2.5	0-40	2086	14.2	92	14	1	22	HM3	C3F
							2	44		
							3	69		
VJF-2.5T(B)	2.5	0-40	1771	17	79	14	1	22	HM2	C3F
							2	44		
							3	69		
VJF-3T (A)	3	0-40	2490	14.3	101	15	1	21	HM6	C3AF
							2	42		
							3	66		
VJF-3T (B)	3	0-40	1992	17.8	88	15	1	21	HM6	C3GF
							2	42		
							3	66		
VJF-3.5T(A)	3.5	0-40	2970	14	131	15	1	21	HM6	C3AF
							2	42		
							3	66		
VJF-3.5 (B)	3.5	0-40	2376	17.4	105	15	1	21	HM6	C3GF
							2	42		
							3	66		
VJF-4T (A)	4	0-40	3267	14.6	144	16	1	20	HM6	C3DF
							2	40		
							3	64		
VJF-4T (B)	4	0-40	2379	17.3	121	16	1	20	HM6	C3DF
							2	40		
							3	64		
VJF-4.5T(A)	4.5	0-40	3530	15	156	16	1	20	HM6	C3AF
							2	40		
							3	64		
VJF-4.5T(B)	4.5	0-40	2970	18	131	16	1	20	HM6	C3AF
							2	40		
							3	64		

Note: our winch normally not include rope, if with the rope please be informed.