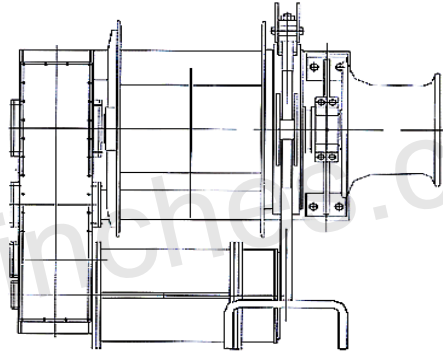




# VM series Electric Winch



Model	Pulling force (KN)	Rated speed (M/min)	Drum capacity (M)	Motor power (KW)
VM 0.5T	5	≥12	Φ8×100	3/1.2
VM 1T	10	≥12	Φ10×150	4.3/1.7
VM 2T	20	≥12	Φ15×150	8.5/3.5
VM 3T	30	≥15	Φ17×150	11/11/7.5
VM 4T	40	≥15	Φ18×150	16/16/11
VM 5T	50	≥15	Φ20.5×180	22/22/16
VM 7.5T	75	≥15	Φ26×200	30/30/22
VM 8T	80	≥15	Φ26×200	30/30/22
VM 10T	100	≥15	Φ30×200	45/45/30
VM 12.5T	125	≥15	Φ30×200	45/45/30
VM 16T	160	≥15	Φ32×250	60/60/45
VM 20T	200	≥9.6	Φ41×250	45/45/30
VM 25T	250	≥9.6	Φ44.5×250	60/60/45
VM 31.5T	315	≥7.8	Φ52×250	60/60/45
VM 40T	400	≥7.8	Φ56×250	85/85/64
VM 50T	500	≥7.8	Φ58×250	85/85/64
VM 60T	600	≥6	Φ64×250	85/85/64
VM 65T	650	≥6	Φ70×250	85/85/64
VM 100T	1000	≥4	Φ85×250	85/85/64

Note:

Above mentioned based on 380 Voltage, 50 Hz, 3-phase, and the price not include wire and certificate, if any want please in advice.