



VYJ series hydraulic winch, from 1102LB-22046LB(5T-10T)



VYJ series hydraulic winch, that applies for automobile and special type vehicle to help themselves out mass condition. Its mainly used to pull the road in the project installation, oil field drilling and wrecker etc. Its predominant for compact structure, small cubage, light weight, big power, simply installation, easy operation and facilitate to work by the hydraulic system of automobile.

Technical data:

Model	VYJ 050	VYJ 100
Drum	Double-rotation	Double-rotation
Drum diameter	φ 120mm	φ 170mm
Rope diameter	φ 13mm	φ 17. 5mm
Rope capacity	30M	45M
Rope layer	3	4
Rated pull force (first layer)	49KN (5T, 11023 LBS)	98KN (10T, 22046LBS)
Rated speed (first)	7m/min	5m/min
Working pressure	16Mpa	16Mpa

VYJ 050 parameter:

layer	Max. pull force				Rated pull force				Zero pull force			
	force	speed	flow	pressure	force	speed	flow	pressure	force	speed	flow	pressure
	KN	M/min	L/min	Mpa	KN	M/min	L/min	Mpa	KN	M/min	L/min	Mpa
1st	61.25	3.8	30	<15	49	7	50	<12.5	<5	10	55-60	<2
2nd	51.32	4.5	30	<15	41.5	8	50	<12.5	<5	12	55-60	<2
3rd	44.8	5.2	30	<15	38	9	50	<12.5	<5	14	55-60	<2

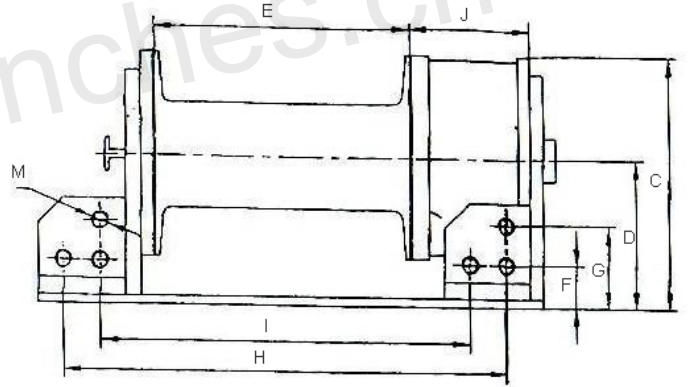
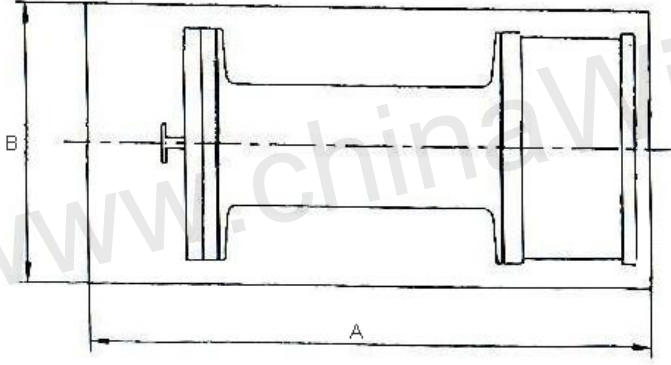
VYJ 100 parameter:

layer	Max. pull force				Rated pull force				Zero pull force			
	force	speed	flow	pressure	force	speed	flow	pressure	force	speed	flow	pressure
	KN	M/min	L/min	Mpa	KN	M/min	L/min	Mpa	KN	M/min	L/min	Mpa
1st	122.5	4	40	<15	98	5	50	<14	<5	7.4	60	<2
2nd	105.5	4.6	40	<15	84.36	5.8	50	<14	<5	8.6	60	<2
3rd	92.57	5.3	40	<15	74.01	6.6	50	<14	<5	9.8	60	<2
4th	82.49	5.9	40	<15		7.4	50	<14	<5	11	60	<2

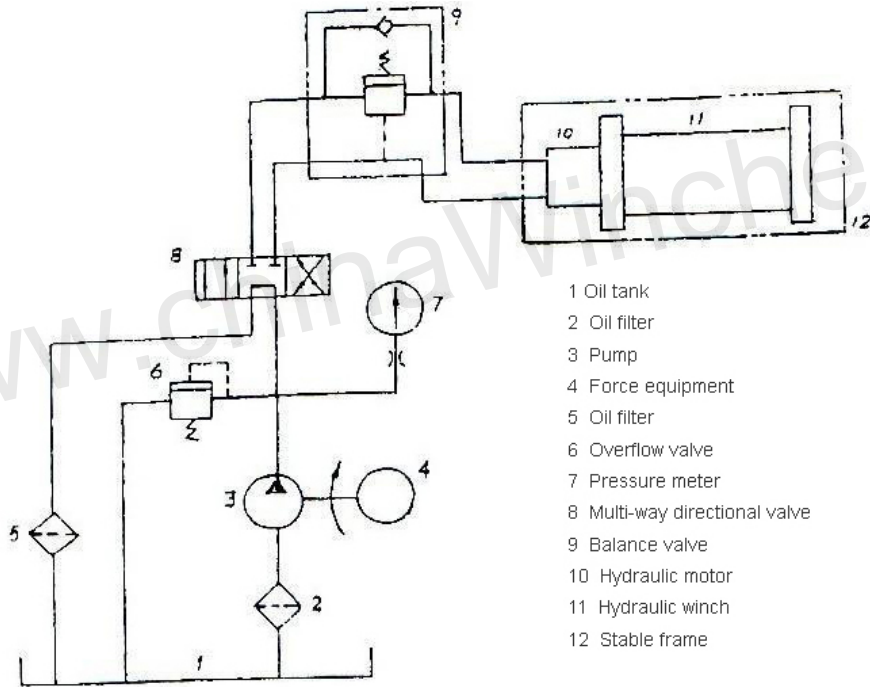


Dimension:

Model	A	B	C	D	E	F	G	H	I	J	M
NYJ 050	599	278	285	170	300	50	95	523	435	144	20
NYJ 100	734	400	387.5	230	315	70	145	634	479	204	24



Hydraulic schematics:



Note: this kind of winch normally not include rope, if with the rope pls be informed.