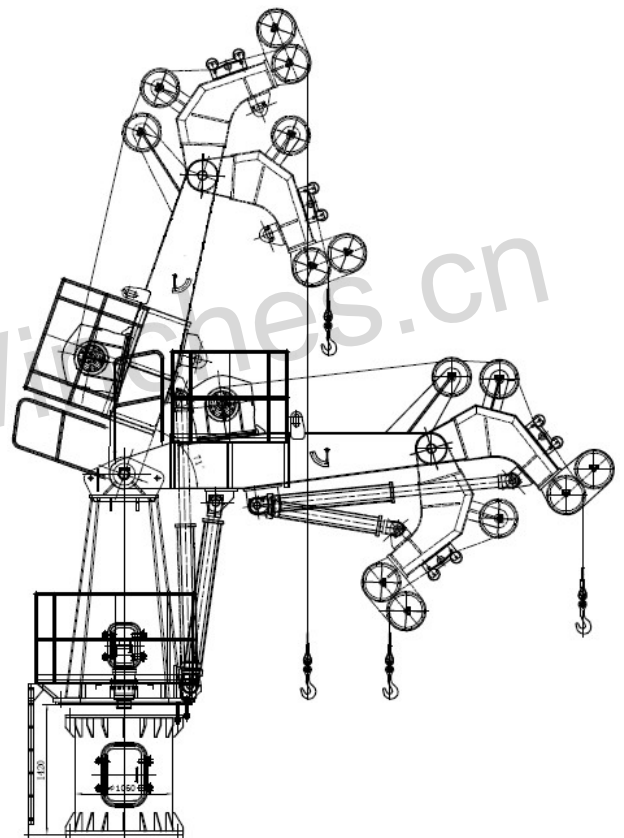
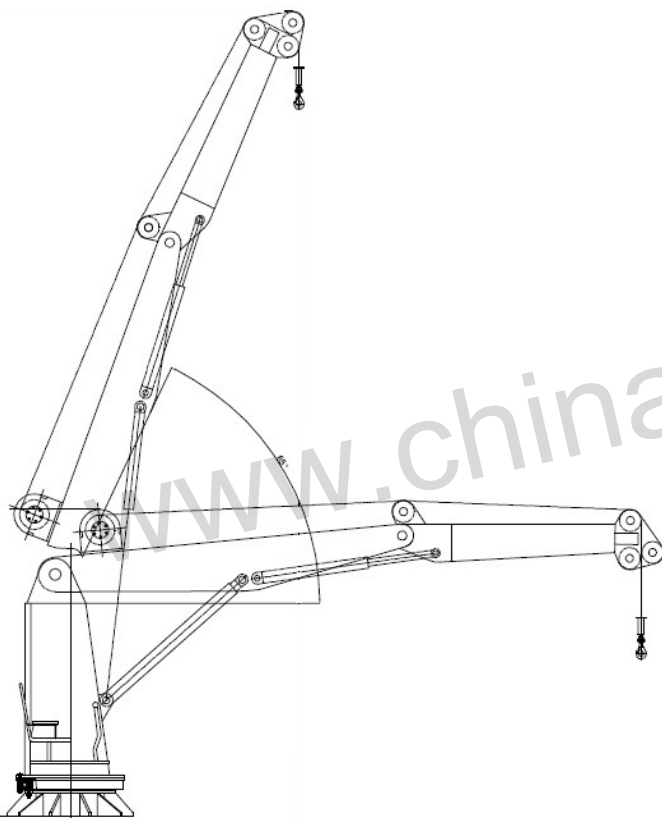




Electro-Hydraulic Knuckle Boom Crane

www.chinaWinches.cn



Model	Working Load (kN)	Working Radius (M)	Hoisting Speed (M/min)	Hoisting Height (M)	Slewing Angle
VKBC-10	10	2-5	10-15	20	360 ⁰
VKBC-20	20	2-8	10-15	20	360 ⁰
VKBC-30	30	2-8	10-15	25	360 ⁰
VKBC-50	50	3-10	10-15	25	360 ⁰

Note: Above mentioned based on 380 Voltage, 50 Hz, 3-Phase, and the price not include wire and classification, if any want please in advice.