



Electro Hydraulic Telescopic Boom Crane

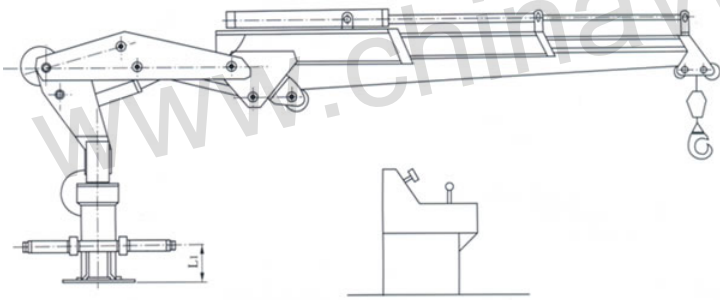
www.chinaWinches.cn



Type A



Type B



Model	Working Load (kN)	Max. Working Radius (M)	Min. Working Radius (M)	Hoisting Speed (M/min)	Slewing Speed (M/min)	Hoisting Height (M)
VTBC1-6	10	6	1.6	15	1.5	30
VTBC1-8	10	8	2.2	15	1	30
VTBC1-10	10	10	2.7	15	0.8	30
VTBC1-12	10	12	3.3	15	0.8	30
VTBC1.5-8	15	8	2.2	15	1.5	30
VTBC1.5-10	15	10	2.7	15	0.7	30
VTBC1.5-14	15	14	3.7	15	1.5	30
VTBC2-5	20	5	1.4	15	1.5	30
VTBC2-8	20	8	2.2	15	1.5	30
VTBC2-11	20	11	3.0	15	1	30
VTBC2-15	20	15	4.0	15	0.7	30
VTBC3-8	30	8	2.2	15	1.5	30
VTBC3-15	30	15	4.0	15	0.9	30
VTBC3-18	30	18	4.8	15	0.75	30
VTBC5-12	50	12	3.3	15	1	30
VTBC5-16	50	16	4.2	15	0.75	30
VTBC5-20	50	20	5.3	15	0.6	40
VTBC8-12	80	12	3.3	15	1	30
VTBC8-16	80	16	4.2	15	0.75	40
VTBC8-20	80	20	5.3	15	0.6	40
VTBC10-12	100	12	3.3	15	1	30
VTBC10-16	100	16	4.2	15	0.75	40
VTBC10-20	100	20	5.3	15	0.6	40
VTBC15-12	150	12	3.3	15	0.8	40

VTBC15-16	150	16	4.2	15	0.5	50
VTBC15-20	150	20	5.3	15	0.5	50
VTBC20-16	200	16	4.2	15	0.7	40
VTBC20-20	200	20	5.3	15	0.6	50
VTBC20-25	200	25	6.6	15	0.6	50
VTBC25-20	250	20	5.3	15	0.6	50
VTBC25-25	250	25	6.6	15	0.5	50
VTBC25-30	250	30	7.9	15	0.4	60
VTBC30-30	300	30	7.9	15	0.4	60

Note: Above mentioned based on 380 Voltage, 50 Hz, 3-Phase, and the price not include wire and classification, if any want please in advice.

www.chinaWinches.cn

www.chinaWinches.cn